

**PLEASE CHECK WWW.MOLEX.COM FOR LATEST PART INFORMATION**

**Part Number:** [0022124062](#)  
**Status:** **Active**  
**Overview:** [kk](#)  
**Description:** 2.54mm (.100") Pitch KK® Wire-to-Board Header, Right Angle, with Friction Lock, 6 Circuits

**Documents:**

[3D Model](#) [Product Specification PS-99020-0088 \(PDF\)](#)  
[Drawing \(PDF\)](#) [RoHS Certificate of Compliance \(PDF\)](#)

**Agency Certification**

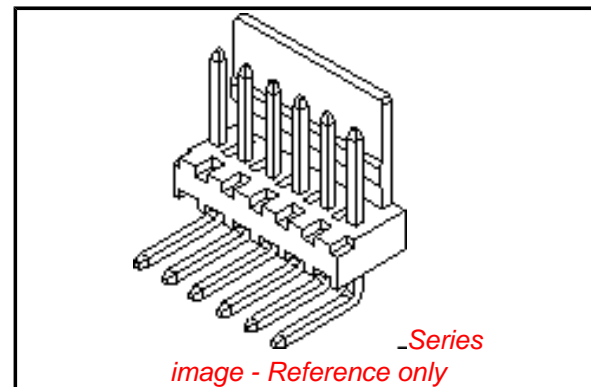
CSA LR19980  
 UL E29179

**General**

Product Family PCB Headers  
 Series [7395](#)  
 Application Wire-to-Board  
 Overview [kk](#)  
 Product Name KK®

**Physical**

Breakaway No  
 Circuits (Loaded) 6  
 Circuits (maximum) 6  
 Color - Resin Natural (White)  
 Durability (mating cycles max) 100  
 First Mate / Last Break No  
 Flammability 94V-0  
 Glow-Wire Compliant No  
 Guide to Mating Part No  
 Keying to Mating Part None  
 Lock to Mating Part Yes  
 Material - Metal Brass  
 Material - Plating Mating Gold  
 Material - Plating Termination Gold  
 Material - Resin Nylon  
 Number of Rows 1  
 Orientation Right Angle  
 PC Tail Length (in) 0.150 In  
 PC Tail Length (mm) 3.80 mm  
 PCB Locator No  
 PCB Retention None  
 PCB Thickness Recommended (in) 0.062 In  
 PCB Thickness Recommended (mm) 1.60 mm  
 Packaging Type Bag  
 Pitch - Mating Interface (in) 0.100 In  
 Pitch - Mating Interface (mm) 2.54 mm  
 Plating min: Mating (µin) 20  
 Plating min: Mating (µm) 0.5  
 Plating min: Termination (µin) 20  
 Plating min: Termination (µm) 0.5  
 Polarized to PCB Yes  
 Shrouded Partial  
 Stackable No  
 Temperature Range - Operating 0°C to +75°C



**EU RoHS**

**ELV and RoHS Compliant**  
**REACH SVHC**  
 Not Reviewed  
**Halogen-Free Status**

**China RoHS**



**Need more information on product environmental compliance?**

Email [productcompliance@molex.com](mailto:productcompliance@molex.com)  
 For a multiple part number RoHS Certificate of Compliance, [click here](#)

Please visit the [Contact Us](#) section for any non-product compliance questions.

**Search Parts in this Series**

[7395Series](#)

**Mates With**

[2695](#) KK® Crimp Terminal Housing. [6471](#) KK® Crimp Terminal Housing. [7720](#) KK® IDT Double Cantilever

Termination Interface: Style

Through Hole

**Electrical**

Current - Maximum per Contact

4A

Voltage - Maximum

250V

**Solder Process Data**

Lead-free Process Capability

Wave Capable (TH only)

**Material Info**

Old Part Number

739506BG

**Reference - Drawing Numbers**

Packaging Specification

PK-7478-001

Product Specification

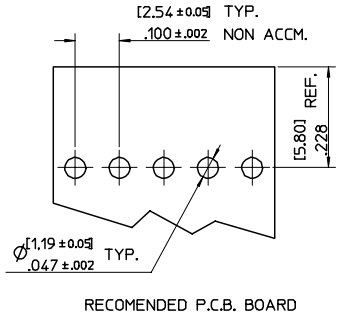
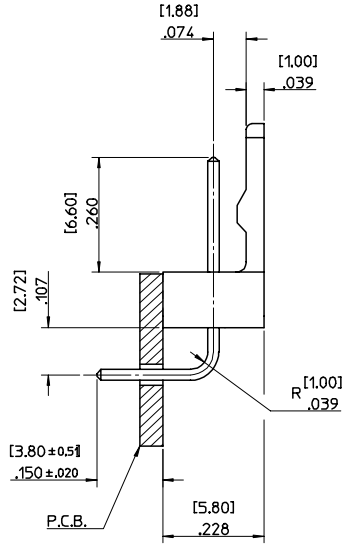
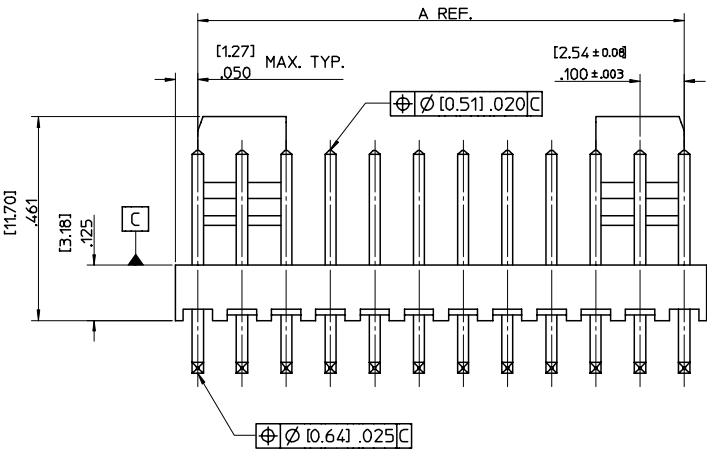
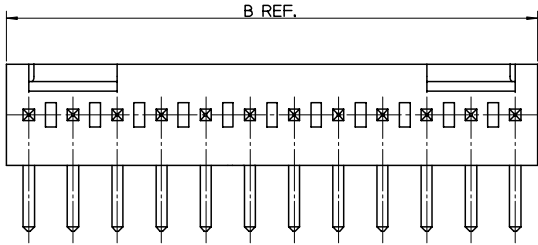
PS-99020-0088

Sales Drawing

SD-7395-001

This document was generated on 05/24/2010

**PLEASE CHECK [WWW.MOLEX.COM](http://WWW.MOLEX.COM) FOR LATEST PART INFORMATION**



AE-7395-N B

NO. OF CCTS.

WAFER ASSY. OPTION

PLATING TYPE  
BLANK: TIN  
G: GOLD

PIN FINISH:  
[0.005]/0.0002 MIN. TIN  
OVER  
[0.003]/0.0001 MIN. COPPER

PIN FINISH:  
[0.0005]/0.00002 MIN. GOLD  
OVER  
[0.0008]/0.00003 MIN. NICKEL

| NO. OF CCTS | DIM. A     | DIM. B     | PIN FINISH: [0.005]/0.0002 MIN. TIN OVER [0.003]/0.0001 MIN. COPPER |            | PIN FINISH: [0.0005]/0.00002 MIN. GOLD OVER [0.0008]/0.00003 MIN. NICKEL |            |
|-------------|------------|------------|---|------------|--|------------|
|             |            |            | ENG. NO.  | PART NO.   | ENG. NO.   | PART NO.   |
| 2           | 2.54/100   | 5.08/200   | AE-7395-2B  | 22-05-7028 | AE-7395-2BG  | 22-12-4022 |
| 3           | 5.08/200   | 7.62/300   | AE-7395-3B  | 22-05-7038 | AE-7395-3BG  | 22-12-4032 |
| 4           | 7.62/300   | 10.16/400  | AE-7395-4B  | 22-05-7048 | AE-7395-4BG  | 22-12-4042 |
| 5           | 10.16/400  | 12.70/500  | AE-7395-5B  | 22-05-7058 | AE-7395-5BG  | 22-12-4052 |
| 6           | 12.70/500  | 15.24/600  | AE-7395-6B  | 22-05-7068 | AE-7395-6BG  | 22-12-4062 |
| 7           | 15.24/600  | 17.78/700  | AE-7395-7B  | 22-05-7078 | AE-7395-7BG  | 22-12-4072 |
| 8           | 17.78/700  | 20.32/800  | AE-7395-8B  | 22-05-7088 | AE-7395-8BG  | 22-12-4082 |
| 9           | 20.32/800  | 22.86/900  | AE-7395-9B  | 22-05-7098 | AE-7395-9BG  | 22-12-4092 |
| 10          | 22.86/900  | 25.40/1000 | AE-7395-10B   | 22-05-7108 | AE-7395-10BG   | 22-12-4102 |
| 11          | 25.40/1000 | 27.94/1100 | AE-7395-11B   | 22-05-7118 | AE-7395-11BG   | 22-12-4112 |
| 12          | 27.94/1100 | 30.48/1200 | AE-7395-12B   | 22-05-7128 | AE-7395-12BG   | 22-12-4122 |
| 13          | 30.48/1200 | 33.02/1300 | AE-7395-13B   | 22-05-7138 | AE-7395-13BG   | 22-12-4132 |
| 14          | 33.02/1300 | 35.56/1400 | AE-7395-14B   | 22-05-7148 | AE-7395-14BG   | 22-12-4142 |
| 15          | 35.56/1400 | 38.10/1500 | AE-7395-15B   | 22-05-7158 | AE-7395-15BG   | 22-12-4152 |
| 16          | 38.10/1500 | 40.64/1600 | AE-7395-16B   | 22-05-7168 | AE-7395-16BG   | 22-12-4162 |
| 17          | 40.64/1600 | 43.18/1700 | AE-7395-17B   | 22-05-7178 | AE-7395-17BG   | 22-12-4172 |
| 18          | 43.18/1700 | 45.72/1800 | AE-7395-18B   | 22-05-7188 | AE-7395-18BG   | 22-12-4182 |
| 19          | 45.72/1800 | 48.26/1900 | AE-7395-19B   | 22-05-7198 | AE-7395-19BG   | 22-12-4192 |
| 20          | 48.26/1900 | 50.80/2000 | AE-7395-20B   | 22-05-7208 | AE-7395-20BG   | 22-12-4202 |

- NOTES:-
- MATERIALS:  
WAFER: NYLON 6/6, UL 94, V-0, NATURAL COLOUR  
PIN: [0.64]/0.25 SQUARE HARD DRAWN BRASS  
FINISH: SEE CHART
  - PIN SOLDERABILITY PER MOLEX SPECIFICATION NUMBER 152
  - PIN PUSH OUT FORCE [0.907 KG]/2.0 LBS MIN.
  - PARTS TO BE FLAT WITHIN [0.13]/0.005 IN/IN
  - WAFERS STACKABLE END TO END

|  |                               |  |  |   |  |   |                     |                        |
|--|-------------------------------|--|--|---|--|---|---------------------|------------------------|
| ORIGINAL RELEASE<br>E.C. NO. E2005-1071<br>DRAWN: JDENNEHY 2005/06/20<br>CHKD: GMCWEENEY 2005/06/20<br>APPR: JDENNEHY 2005/07/07 | QUALITY SYMBOLS<br>▽=0<br>▽=0 | GENERAL TOLERANCES (UNLESS SPECIFIED)  |  | DIMENSION STYLE<br>MM ONLY              |  | SCALE 5:1   | DESIGN UNITS METRIC | THIRD ANGLE PROJECTION |
|  |                               | 4 PLACES ± --- ± ---<br>3 PLACES ± --- ± 0.10<br>2 PLACES ± 0.25 ± 0.15<br>1 PLACE ± 0.38 ± ---<br>ANGULAR ± 2 ° |  | DRAWN BY DATE<br>JDENNEHY 2005/05/13    |  | TITLE<br>WAFER, R/A FRICTION LOCK (2.54)/.100 CENTERS (0.64)/.025 SQ. PIN |                     |                        |
|  |                               |  |  | CHECKED BY DATE<br>GMCWEENEY 2005/05/27 |  | MOLEX INCORPORATED  |                     |                        |
|  |                               |  |  | APPROVED BY DATE<br>JDENNEHY 2005/05/27 |  | DOCUMENT NO. SD-7395-001  |                     |                        |
| DRAFT WHERE APPLICABLE MUST REMAIN WITHIN DIMENSIONS   |                               | SEE CHART  |  | MATERIAL NO.                            |  | SHEET NO. 1 OF 1  |                     |                        |